

# CIRCUS TOSS



Be Sure  
to Read this  
Manual  
Before Use

(CEC Version)



## Operation Manual

Distributed by: Amusements Worldwide

[www.amusementsworldwide.com](http://www.amusementsworldwide.com)

Tel: 214-750-9202

SERIAL NUMBER:

DATE OF INSTALLATION:

# CONTENT

|                                     |    |
|-------------------------------------|----|
| IMPORTANT SAFETY INSTRUCTIONS ..... | 2  |
| 1. SPECIFICATIONS.....              | 4  |
| 2. PACKAGE CONTENTS .....           | 5  |
| 3. PART NAME .....                  | 6  |
| 4. SET UP & INSTALLATION .....      | 7  |
| 5. HOW TO PLAY .....                | 10 |
| 6. GAME OPTIONS .....               | 11 |
| 7. ERROR MESSAGE AND RECOVERY.....  | 14 |
| 8. MAINTENANCE, INSPECTION .....    | 15 |
| 9. OVERALL CONSTRUCTION.....        | 17 |

Non-technical personnel who do not have technical knowledge and Expertise should refrain from performing such work that this manual require or perform tasks which are not explained in this manual. Failing to comply can cause severe accidents such as electric shock or other serious injuries. All repairs must be performed to original manufacturer specifications.

**WARNING:** To reduce the risk of fire, electric shock or personal injury, unplug or disconnect the machine from the power supply before servicing.

Thank you for purchasing **Circus Toss**. We hope you enjoy the product. This manual contains valuable information about how to operate and maintain your game machine properly and safely. It is intended for the owner and/or personnel in charge of product operation. Carefully read and understand the instructions.

If you need any help during installation and setup please utilize this manual and troubleshooting guide. If the product fails to function properly, *non-technical personnel should under no circumstance attempt to service the machine*. Contact your distributor or manufacturer for help.

Before use, please read **IMPORTANT SAFETY INSTRUCTIONS**.

## **IMPORTANT SAFETY INSTRUCTIONS**

**To ensure the safe usage of this product, carefully read and understand these instructions before operating your game.**

**Save these instructions for future reference.**

Use this product only as described in this manual. Other uses not recommended may cause fire, electric shock or personal injury. Unplug the game from the outlet when not in use, when moving from one location to another, and before cleaning/servicing.

Explanations which require special attention are indicated by signs of warning. Depending on the potential hazardous degree, the terms: **NOTE**, **NOTICE**, and **WARNING** are used.

**NOTE:** A NOTE indicates useful hints or information about product usage.

**NOTICE:** A NOTICE indicates potential damage to product and how to avoid the problem.

**WARNING:** A WARNING indicates a potential for product damage or serious personal Injury.

It is important to understand the meaning of the following **HAZARD SIGNS** before continuing:

### **High Voltage and Shock Hazard:**

High voltage can cause electric shock.  
Turn off/unplug power before servicing.



### **High Temperature Hazard:**

This part may cause scalding.  
Do not touch. Surface may be hot.



### **No Touching Hazard:**

This part may be hot or can cause electric shock.



Do not touch.

Use the following safety guidelines to help ensure your own personal safety and to help protect your equipment and surrounding environment from potential damage.



**This product is an indoor game machine. Do not install outdoors.**

**Avoid installing in the following places to prevent fire, electric shock, injury and/or machine malfunctioning:**

- Places subject to rain/moisture, or places subject to high humidity.
- Places subject to direct sunlight, or places subject to extremely hot or cold temperatures to ensure that it is used within the specified operating range.
- Places where inflammable gas may be present or in the vicinity of highly inflammable/volatile chemicals or items that can easily catch fire
- On unstable or sloped surfaces. The machine may topple or cause unforeseen accidents.
- Vicinity of fire exits, fire extinguishers etc that may block/prevent safety measures

**IMPORTANT NOTE:**

**ALL REPAIRS MUST BE DONE TO ORIGINAL MANUFACTURER SPECIFICATIONS. FAILURE TO DO SO VOID ALL WARRANTIES AND OPERATOR ASSUMES ALL RISKS.**

Note: The contents of this manual may be updated without notice.

# 1. SPECIFICATIONS


Rated power supply: AC110V 50Hz/60Hz; AC220V 50Hz/60Hz

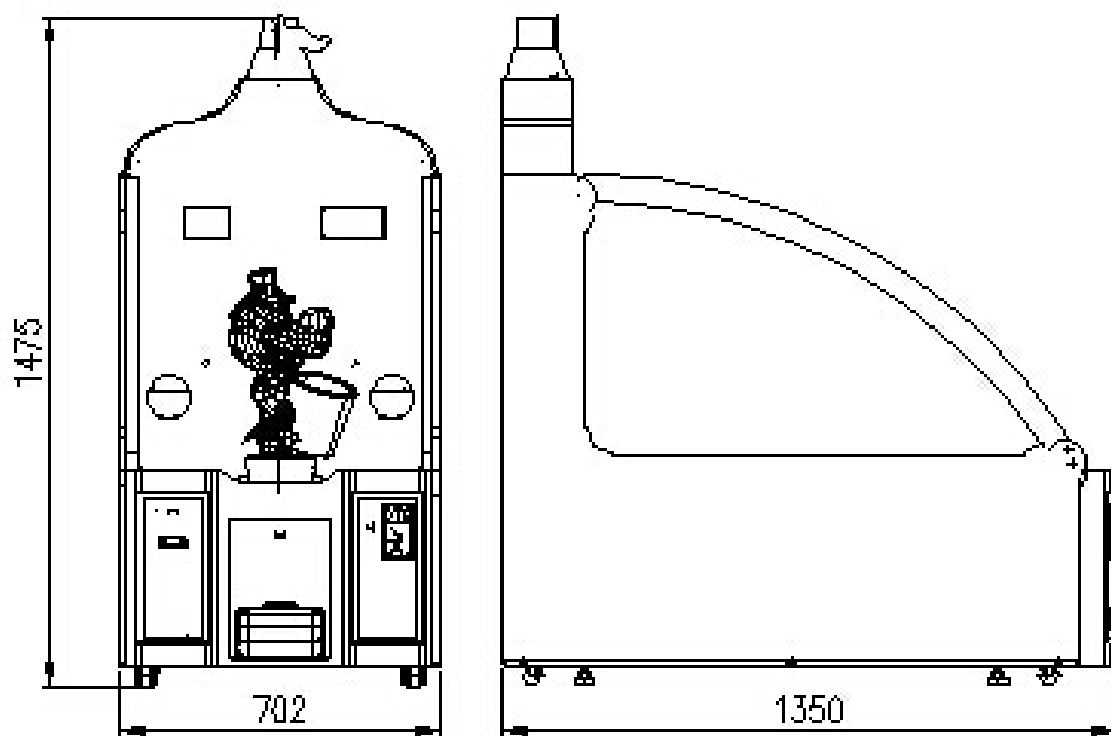
Min. Power consumption: 35W

Max. Power consumption: 75W

Dimensions: W702×D1350×H1475 (mm)

Weight: Approximately 120kg

 **NOTICE:** After turning off the game, please wait at least 1 minute before restarting again.





Note: The contents of this manual may be updated without notice.

## 2. PACKAGE CONTENTS

Open the package and make sure all the items are included:

- 1 x Body Assembly

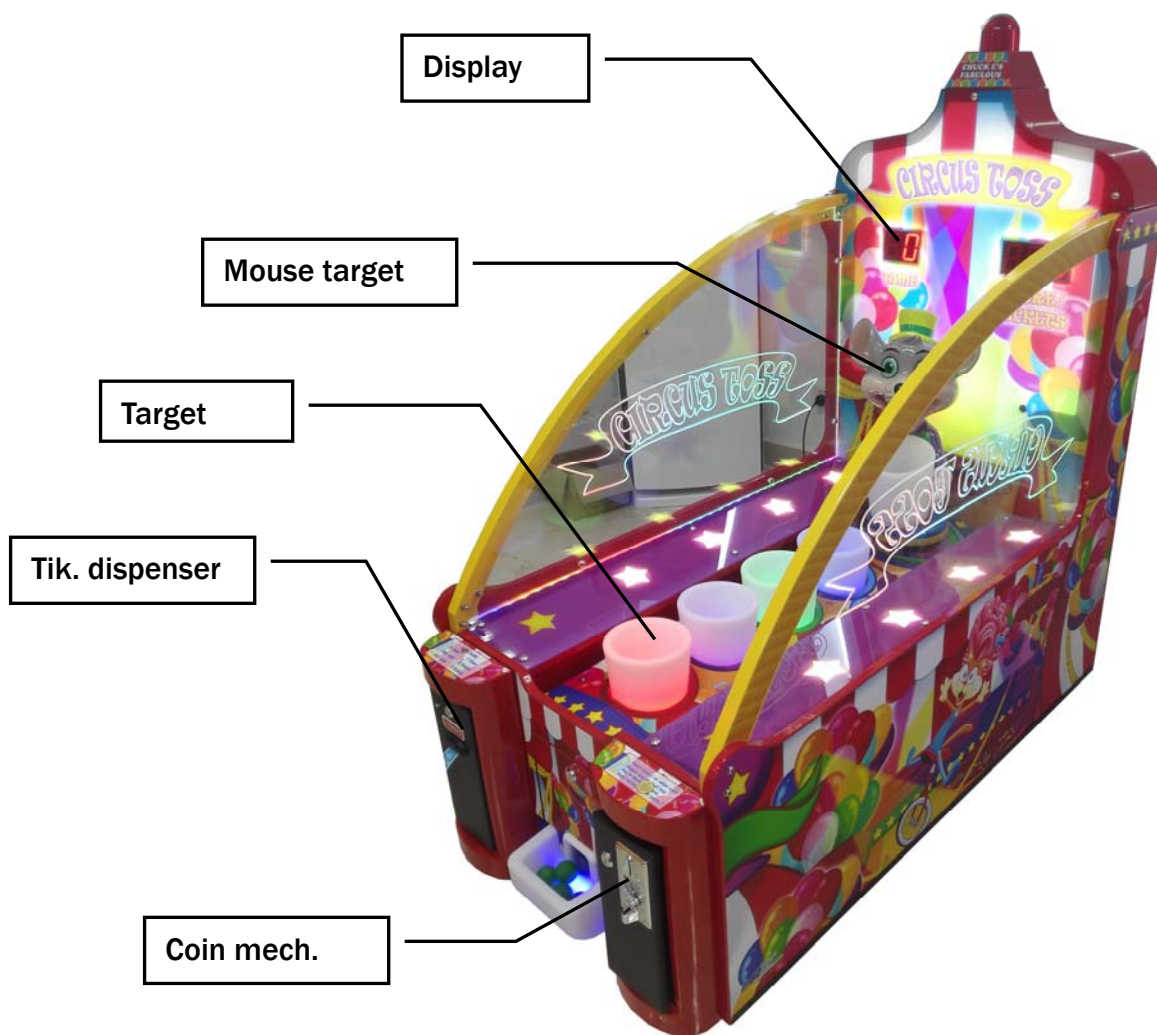
| No | Part No      | Code No.    | Name        | Spec.                 | Qty | Illustration  |
|----|--------------|-------------|-------------|-----------------------|-----|---|
| 1  | C140-550-000 | 23301010019 | Power cord  | 3×16AWG 1.8M          | 1   |  |
| 2  | C140-551-000 | 21901000012 | Fuse        | Φ5×20mm T5A<br>250VAC | 1   |  |
| 3  | C140-552-000 | 41440000156 | Manual      | CEC ver.              | 1   |   |
| 4  | C140-547-000 | 20651506002 | Red ball    | δ40 red PU            | 6   |   |
| 5  | C140-548-000 | 20651506003 | Yellow ball | δ40 yellow PU         | 6   |   |
| 6  | C140-549-000 | 20651506004 | Blue ball   | δ40 blue PU           | 6   |   |

Warranty: Universal Space provides 90 days warranty for all electrical and mechanical components, when used under normal operating conditions. Any modification or abuse of these items immediately voids the warranty. Graphic and consumable items are exempt from any warranty.

If any items are found to be missing, please contact your sales representative for help immediately.

**NOTE:** Part models are subject to change without notice.

### 3. PART NAME



## 4. SET UP & INSTALLATION



**This product is an indoor game machine. Do not install outdoors.**

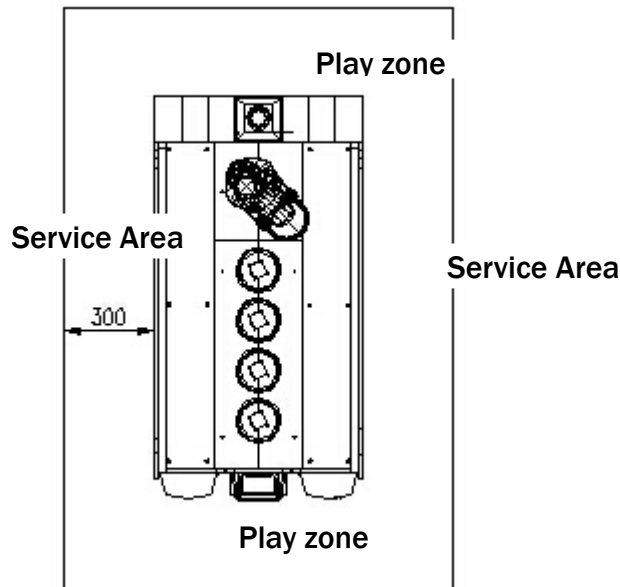
- Refer to IMPORTANT SAFETY INSTRUCTIONS (Pg. 2) for places to avoid
- Place the unit on a dry level surface
- Ventilation openings in the back of the unit must not be obstructed by objects or by wall.

### 4.1 Play Zone

This machine requires space for playing and for maintenance as shown below.

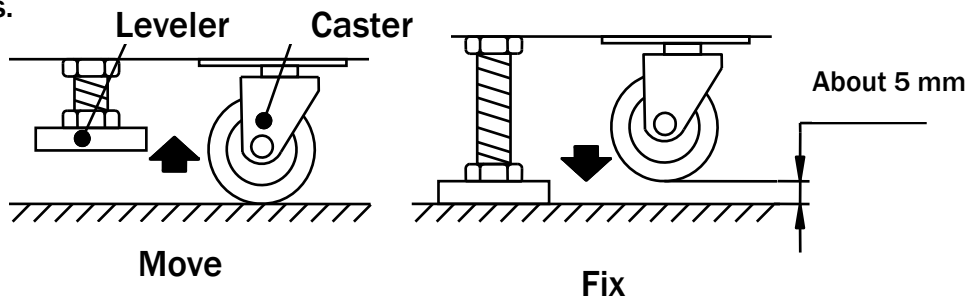
Leave space around the game upon installation:

Play Area: 300mm



### 4.2 Level Adjustment

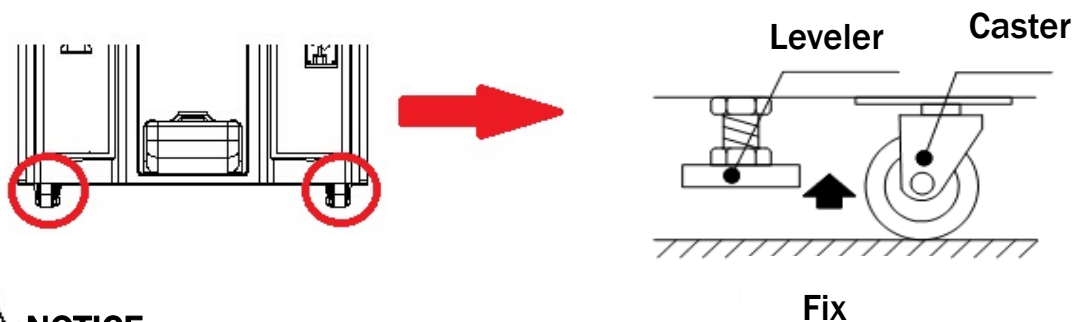
Install this machine on a flat surface. Adjust levers to lift casters off the ground to level the game. If the game is installed on an unsuitable floor, it could cause game malfunction. To secure the game, adjust the Leveler down until it touches the floor, lifting the casters off the ground by 5mm. Repeat the same for all levelers.



Make sure the machine is level with the ground and all the adjustable legs should stick to the floor closely.

### 4.3 Transporting the Machine

If you need to move the game, adjust the levelers back to an “up” position so the casters touch the ground.



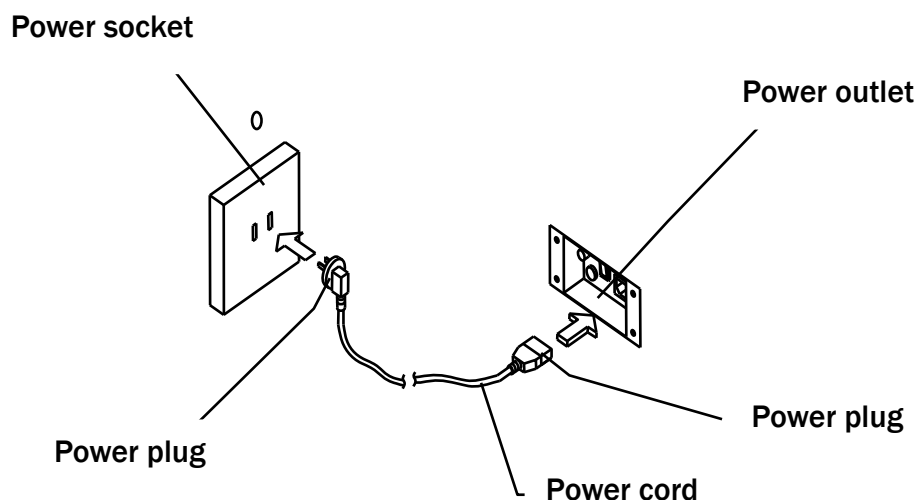
**NOTICE**

- Be careful not to damage the machine during transport.
- The machine should be handled with care when bringing it down from a higher level.
- Always unplug the game before moving.
- Keep the machine in upright position during transport.
- For longer distance transport, package the game properly to prevent damages.

#### 4.4 Connecting Power

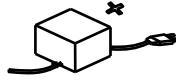
**WARNING:** Check the voltage rating before you connect the equipment to an electrical outlet to ensure that the required voltage and frequency match the available power source. Please refer the label of the machine.

- Do not plug the equipment power cables into an electrical outlet if the power cable is damaged.
- Avoid putting many loads on one electrical outlet as it could generate heat and fire resulting from overload.
- Connect the grounding conductor to the earth terminal (GND):

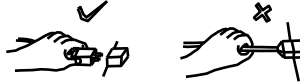


 **WARNING**

Ensure no heavy objects rest on the power cord. Check to make sure the game cabinet does not sit on the power cord as this could damage the cord and become hazardous.



To disconnect the game, grip the plug and pull it from the wall outlet. Never pull by the cord.



To prevent electric shock, do not touch the power plug when hand is wet.



Ensure that nothing rests on the power cord and that it is not located where it can be stepped on or tripped over.



## 5. HOW TO PLAY

- **Insert coin(s) or swipe card.**
- **Gently toss the ball into the lit bucket to score.**
- **Have fun. Enjoy your game !**

## 6. GAME OPTIONS

Check the attached I/O chart and schematic diagram, PC plan available machine input and output correspond to each connection position. Based on the DIP adjustment can be set the machine control signal.

DIP regulating reference I/O list, capital letters for factory Settings, and user can adjust by themselves according to the operation condition.

Button function on counter:

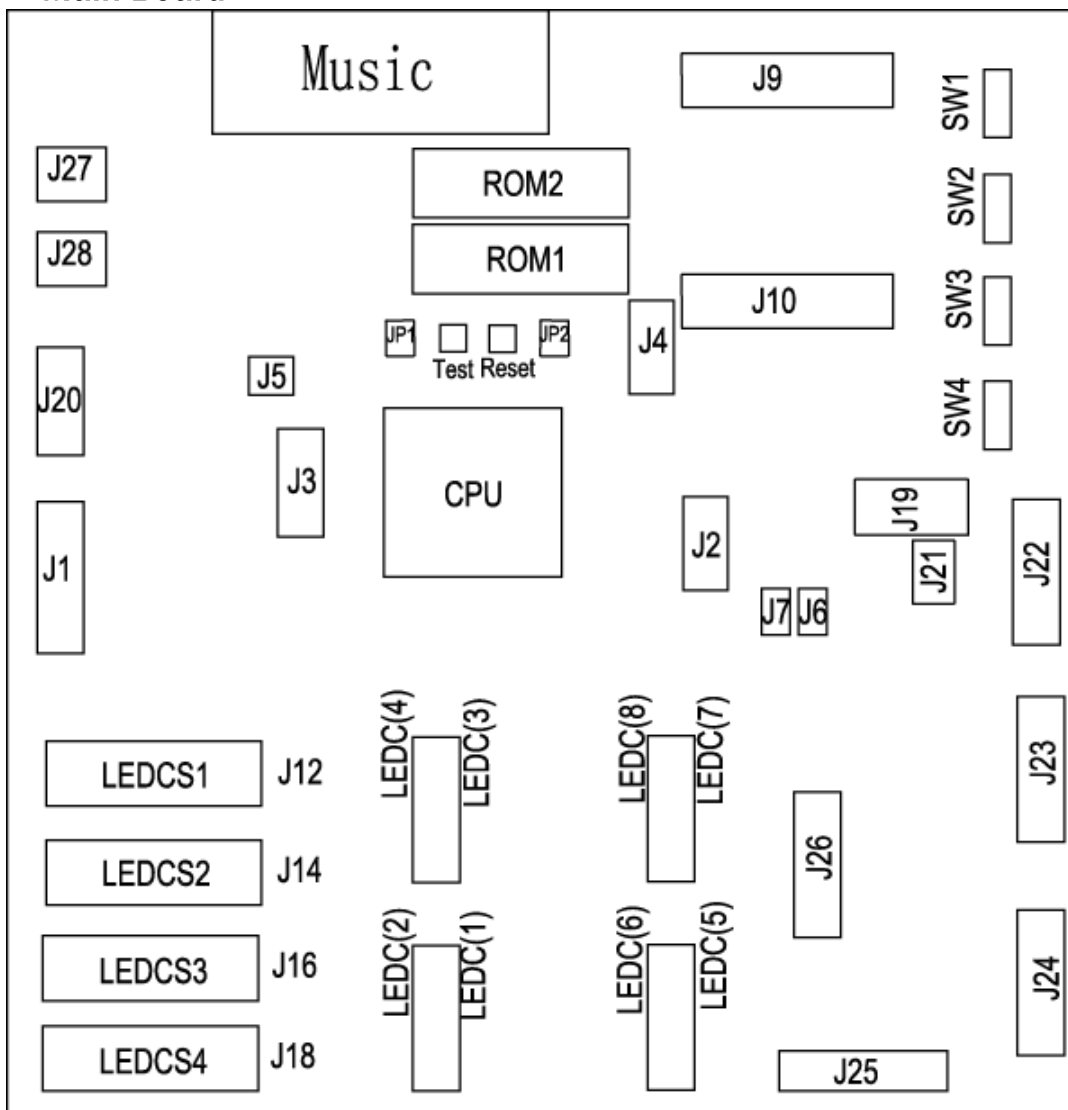
Test Button: Auto completes game play detection.

Service Button: One credit

Reset Button: Clear tilt alarm error code



### Main Board



**IO Settings****SW1**

| Item          | Content     | SW1       |           |     |     |     |     |           |           |
|---------------|-------------|-----------|-----------|-----|-----|-----|-----|-----------|-----------|
|               |             | 1         | 2         | 3   | 4   | 5   | 6   | 7         | 8         |
| Coin per game | <b>1</b>    | <b>ON</b> | <b>ON</b> |     |     |     |     |           |           |
|               | 2           | off       | on        |     |     |     |     |           |           |
|               | 3           | on        | off       |     |     |     |     |           |           |
|               | 4           | off       | off       |     |     |     |     |           |           |
| Demo music    | <b>120s</b> |           |           |     |     |     |     | <b>ON</b> | <b>ON</b> |
|               | 180s        |           |           |     |     |     |     | off       | on        |
|               | 240s        |           |           |     |     |     |     | on        | off       |
|               | off         |           |           |     |     |     |     | off       | off       |
|               |             |           |           | OFF | OFF | OFF | OFF |           |           |

**SW2**

| Item             | Content    | SW2        |           |           |           |            |            |            |            |
|------------------|------------|------------|-----------|-----------|-----------|------------|------------|------------|------------|
|                  |            | 1          | 2         | 3         | 4         | 5          | 6          | 7          | 8          |
| Fixed Ticket     | <b>OFF</b> | <b>ON</b>  | <b>ON</b> | <b>ON</b> |           |            |            |            |            |
|                  | 1 ticket   | off        | on        | on        |           |            |            |            |            |
|                  | 2 tickets  | on         | off       | on        |           |            |            |            |            |
|                  | 5 tickets  | off        | off       | on        |           |            |            |            |            |
|                  | 8 tickets  | on         | on        | off       |           |            |            |            |            |
|                  | 10 tickets | off        | on        | off       |           |            |            |            |            |
|                  | 15 tickets | on         | off       | off       |           |            |            |            |            |
|                  | 20 tickets | off        | off       | off       |           |            |            |            |            |
| Score per ticket | 5          | China Ver. |           |           | on        | on         | on         | on         |            |
|                  | 10         |            |           |           | off       | on         | on         | on         |            |
|                  | 20         |            |           |           | on        | off        | on         | on         |            |
|                  | 30         |            |           |           | off       | off        | on         | on         |            |
|                  | 40         |            |           |           | on        | on         | off        | on         |            |
|                  | 50         |            |           |           | off       | on         | off        | on         |            |
|                  | 60         |            |           |           | on        | off        | off        | on         |            |
|                  | 70         |            |           |           | off       | off        | off        | on         |            |
|                  | 80         |            |           |           | on        | on         | on         | off        |            |
|                  | 90         |            |           |           | off       | on         | on         | off        |            |
|                  | 100        |            |           |           | on        | off        | on         | off        |            |
|                  | 110        |            |           |           | off       | off        | on         | off        |            |
|                  | 120        |            |           |           | on        | on         | off        | off        |            |
|                  | 130        |            |           |           | off       | on         | off        | off        |            |
|                  | <b>200</b> | CEC        |           |           | <b>ON</b> | <b>OFF</b> | <b>OFF</b> | <b>OFF</b> |            |
| Ticket off       |            |            |           | off       | off       | off        | off        |            |            |
| Score Memory     | YES        |            |           |           |           |            |            |            | on         |
|                  | <b>NO</b>  |            |           |           |           |            |            |            | <b>OFF</b> |

**SW3**

| Item          | Content         | SW3        |            |           |            |           |           |            |            |
|---------------|-----------------|------------|------------|-----------|------------|-----------|-----------|------------|------------|
|               |                 | 1          | 2          | 3         | 4          | 5         | 6         | 7          | 8          |
|               |                 |            |            | Mouse     | Hole 2     | Hole 3    | Hole 4    | Hole 5     | Miss       |
| Score group   |                 | <b>OFF</b> | <b>OFF</b> | <b>90</b> | <b>50</b>  | <b>30</b> | <b>20</b> | <b>10</b>  |            |
| Game time     | 30s             |            |            | on        | on         | on        |           |            |            |
|               | 40s             |            |            | off       | on         | on        |           |            |            |
|               | <b>45s</b>      |            |            | <b>ON</b> | <b>OFF</b> | <b>ON</b> |           |            |            |
|               | 50s             |            |            | off       | off        | on        |           |            |            |
|               | 60s             |            |            | on        | on         | off       |           |            |            |
|               | 70s             |            |            | off       | on         | off       |           |            |            |
|               | 80s             |            |            | on        | off        | off       |           |            |            |
|               | 90s             |            |            | off       | off        | off       |           |            |            |
| Out of ticket | <b>Continue</b> |            |            |           |            |           | <b>ON</b> |            |            |
|               | Call attendant  |            |            |           |            |           | off       |            |            |
|               |                 |            |            |           |            |           |           | <b>OFF</b> | <b>OFF</b> |

**SW4**

| Item | Content | SW4 NOT USED |            |            |            |            |            |            |            |
|------|---------|--------------|------------|------------|------------|------------|------------|------------|------------|
|      |         | 1            | 2          | 3          | 4          | 5          | 6          | 7          | 8          |
|      |         | <b>OFF</b>   | <b>OFF</b> | <b>OFF</b> | <b>OFF</b> | <b>OFF</b> | <b>OFF</b> | <b>OFF</b> | <b>OFF</b> |

## 7. ERROR MESSAGE AND RECOVERY

### 7.1 Trouble Shootings

\*Please confirm whether every connector connected tightly.

| Problem                             | Cause  | Countermeasures   |
|-------------------------------------|--|---|
| Machine no response after power on. | Power is not supplied.   | Please check power supply suitable for the machine or not.  |
|                                     | Leakage SW protection.   | Check leakage SW break or not, if break you should restart.   |
|                                     | Fuse is burnt out  | Replace with a proper fuse.   |
| Power dump                          | Circuit protector action, power supply SW cut off.(Note: Circuit protector will cut off current when abnormal current flow.) | Please connect power SW again. If circuit protector action again and again, it is say that machine is abnormal. Please connect to outlet, |
| Coin mech. no response              | Coin mech. failure.  | Replace coin mech.  |
|                                     | Coin mech, signal cable is loose.  | Check signal cable loosen or not.   |
|                                     | No DC12V.  | Replace SW voltage.   |
|                                     | IO control PCB failure.  | Replace IO control PCB.   |
| Speaker no sound.                   | Coin mech is failure.  | Change to a new coin mech.  |
|                                     | Volume setting too low.  | Please set volume again.  |
|                                     | Connector falls off.   | Please plug into connector firmly.  |
|                                     | PCB failure.   | Replace PCB.  |
|                                     | Speaker failure.   | Replace failure.  |

### 7.2 Error Code—Error display:

If the input signal is not normal when you turn on the machine, the score LED displays SW numbers with wrong.

#### Error code

Please check the connection of the corresponding cables for each error.

|     |                             |
|-----|-----------------------------|
| E01 | Mouse Target1 signal error  |
| E02 | Target1 2 signal error      |
| E03 | Target1 3 signal error      |
| E04 | Target1 4 signal error      |
| E05 | Target1 5 signal error      |
| E06 | Ball out signal error       |
| E07 | Target positon signal error |
| E08 | Track 1 signal error        |
| E09 | Track 2 signal error        |
| E10 | Service error               |
| E11 | Ticket reset error          |
| E12 | Ball reset error            |
| E83 | Coin mech eerror            |
| E84 | Coin mech eerror            |
| HLP | Ticket error                |

## 8. MAINTENANCE, INSPECTION

### 8.1 Safety Check

Check the points listed before operating the machine. These checks are necessary for safe machine operation:

1. Try to run the game before operation each day.
2. Conduct monthly routine checks of game components ensure good working condition
3. Check the machine regularly for dust and clean when necessary.

**Note:** Parts and components require preventative maintenance to be kept running smoothly.

### 8.2 Handling Precautions

When installing or inspecting the machine, be very careful of the following points and pay attention to ensure that the player can enjoy the game safely.

Non-compliance with the following points or inappropriate handling running counter to the cautionary matters herein stated can cause personal injury or damage to the machine.

### 8.3 How to Adjust the Scale.

Enter into the scale adjustment mode:

Press TEST button. And press SERVICE button or RESET button. When the LED shows "t1" on the scale, it is in scale adjustment mode.

It shows "P1~P4" on each credit display according to the position. Press confirm button for the adjustment on each position.

CLE - clean all stuff on the scale. Then it shows "-" for 1~2s. Then it shows "Put" and flash for 12s. During the 12s, put 50g weights on the scale. After 12s, it shows "-" for 3s. Then it shows "-E-" for 5s.

Take the 50g weights away from the scale during that 5s. The scale adjustment is done.

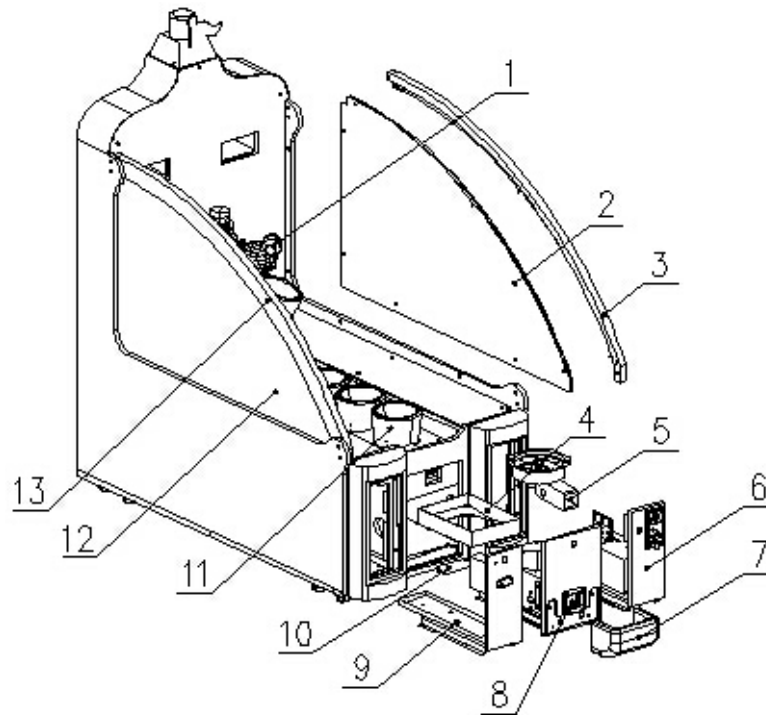


## **WARNING**

- **Before servicing the machine, be sure to turn power off. Servicing without turning the power off can cause electric shock or short circuit.**
- **To avoid electric shock or short circuit, do not plug then unplug the power quickly**
- **Do not expose power cords and earth wires, these are susceptible to damage.**
- **Damaged cords and wires can cause electric shock or short circuit and should be replaced immediately.**
- **When or after installing the product, avoid pulling the power cord to prevent unnecessary wear and tear. Use the power button to disconnect power.**
- **In case the power cord is damaged, ask for replacement through where the product was purchased from or replace locally. Continued usage of damaged cord can cause fire, electric shock or leakage.**
- **Perform grounding appropriately. Inappropriate grounding can cause electric shock.**
- **Use fuses that meet specified rating. Fuses exceeding can cause an electric shock.**
- **Should a problem occur, turn off the power immediately and stop operating the machine. Unplug the power cord of the service outlet. Operating the machine without correcting the problem may cause a fire or injuries.**
- **Insert the power plug securely into the outlet. Poor contact may cause overheating, resulting in fire or burns.**
- **To ensure the warning labels attached on the machine are visible and legible, install the machine in a well-lit location, and keep the labels clean at all times. Make sure the labels are not hidden behind other game machines.**

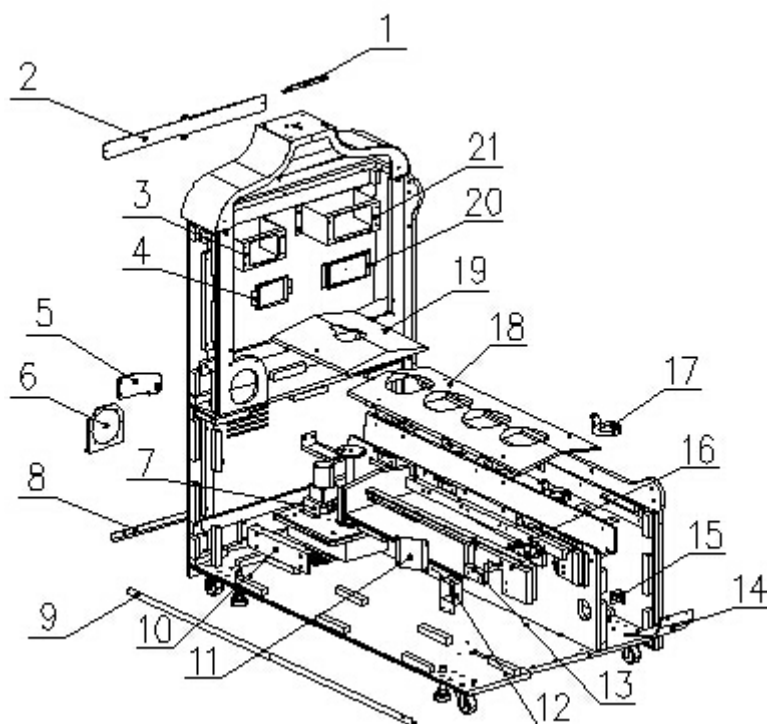
## 9. OVERALL CONSTRUCTION

### 9.1 .1 Mechanism Part 1



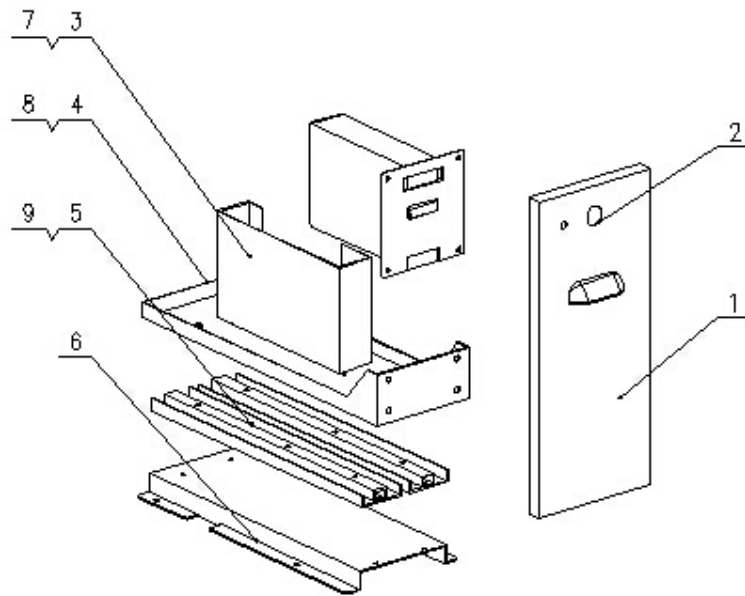
| No. | Part No.     | Code        | Name                                  | Material      | QTY |
|-----|--------------|-------------|---------------------------------------|---------------|-----|
| 1   | C140-214-000 | 20651506016 | CEC Mouse                             | Fiberglass    | 1   |
|     | C140-254-000 | 20651506011 | Mouse bucket                          | Plastic       | 1   |
| 2   | C140-241-000 | 20251506024 | R side plastic plate                  | Clear plastic | 1   |
| 3   | C140-235-000 | 20251506043 | R bent pipe                           | Q235          | 1   |
| 4   | C140-229-000 | 20251506017 | Catching box                          | Q235          | 1   |
| 5   | C140-005-000 | 29951506005 | Outball box assy.                     | Assy.         | 1   |
| 6   | C140-002-000 | 29951506002 | Coin door assy.                       | Assy.         | 1   |
| 7   | C140-212-000 | 20651506006 | Catching funnel                       | Plastic       | 1   |
|     | C140-213-000 | 20251506047 | Catching funnel plastic embedded part | SECC          | 1   |
| 8   | C140-003-000 | 29951506003 | Outball door assy.                    | Assy.         | 1   |
| 9   | C140-001-000 | 29951506001 | Ticket door assy.                     | Assy.         | 1   |
| 10  | C140-239-000 | 20251506052 | Catching pot light mounting board     | SECC          | 1   |
| 11  | C140-246-000 | 20651506008 | Goal funnel                           | Plastic       | 4   |
| 12  | C140-233-000 | 20651506015 | L side plastic                        | Clear plastic | 1   |
| 13  | C140-234-000 | 20251506042 | L bent pipe                           | Q235          | 1   |

## 9.1 .2 Mechanism Part 2

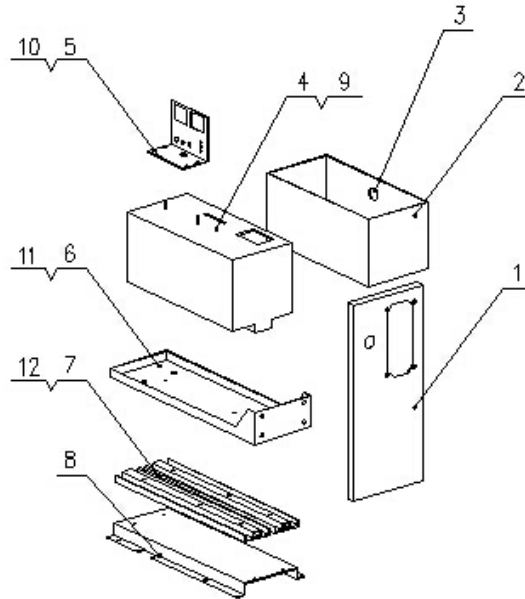


| No. | Part No.     | Code        | Name                        | Material            | QTY |
|-----|--------------|-------------|-----------------------------|---------------------|-----|
| 1   | C140-240-000 | 20251506023 | Warning light fixed bracket | Q235                | 1   |
| 2   | C140-238-000 | 20251506022 | Drawer light mounting board | Q235                | 1   |
| 3   | C140-236-000 | 20251506020 | Display mounting bracket 1  | Q235                | 1   |
| 4   | C140-256-000 | 20251506059 | Display light board 1       | Stainless steel304  | 1   |
| 5   | C140-227-000 | 20651506007 | Sensor mounting board       | Clear plastic       | 2   |
| 6   | C140-248-000 | 20651506010 | Speaker mounting bracket    | Q235                | 2   |
| 7   | C140-006-000 | 29951506006 | Mouse assy.                 | Assy.               | 1   |
| 8   | C140-244-000 | 20251506026 | Back side binding           | Q235                | 1   |
| 9   | C140-243-000 | 20251506025 | Side binding                | Q235                | 2   |
| 10  | C140-226-000 | 20251506016 | Mouse mounting board        | Q235                | 2   |
| 11  | C140-230-000 | 20251506018 | Guiding board               | Q235                | 2   |
| 12  | C140-231-000 | 20251506019 | Side exit conduit           | Q235                | 2   |
| 13  | C140-242-000 | 20251506053 | Hole face board fixed plate | SECC                | 6   |
| 14  | C140-245-000 | 20251506027 | Ball blocking fender        | Q235                | 1   |
| 15  | C140-232-000 | 20651506013 | Sensor fender               | Clear PVC           | 5   |
| 16  | C140-228-000 | 20251506051 | Goal bucket mounting board  | SECC                | 2   |
| 17  | C140-255-000 | 20251506058 | Light board bracket         | SECC                | 10  |
| 18  | C140-249-000 | 20251506029 | Hole face board             | Q235                | 1   |
| 19  | C140-237-000 | 20251506021 | Mouse down board            | Q235                | 1   |
| 20  | C140-257-000 | 20251506060 | Display light board 2       | Stainless steel 304 | 1   |
| 21  | C140-247-000 | 20651506009 | Display mounting bracket 2  | Q235                | 1   |

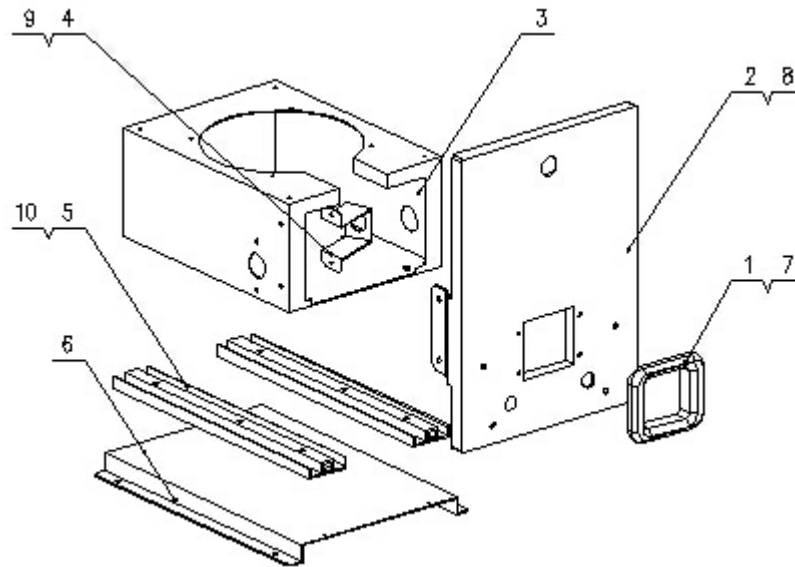
## 9.1 .3 Mechanism Part 3



| No. | Part No.     | Code        | Name                                | Material        | QTY |
|-----|--------------|-------------|-------------------------------------|-----------------|-----|
| 1   | C140-216-000 | 20251506009 | Ticket door                         | Q235            | 1   |
| 2   | C140-511-000 | 25300000004 | C582 lock                           |                 | 1   |
| 3   | C140-203-000 | 26000007000 | Ticket box 120                      | Q235            | 1   |
| 4   | C140-217-000 | 20251506010 | Track fixed bracket                 | Q235            | 1   |
| 5   | C140-501-000 | 25105000013 | Guild track                         |                 | 2   |
| 6   | C140-215-000 | 20251506048 | Track base                          | SECC            | 1   |
| 7   | C140-130-000 | 20101100035 | Cross recessed pan head screw suite | Stainless steel | 2   |
| 8   | C140-129-000 | 20102100030 | Hexagon flange nut                  | Stainless steel | 12  |
| 9   | C140-104-000 | 20101102008 | Cross recessed sunk head screw      | Stainless steel | 8   |

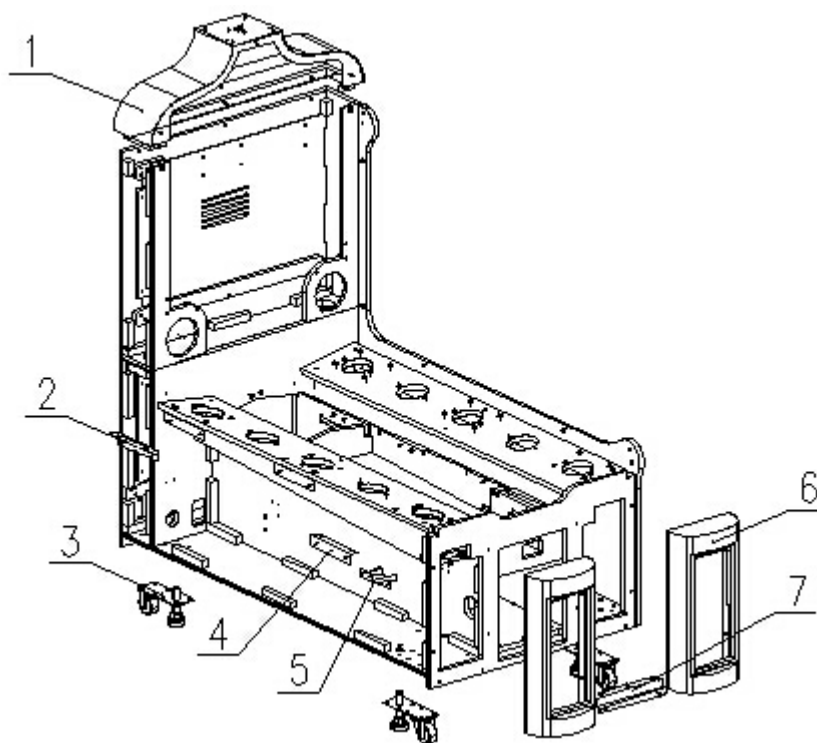
**9.1 .4 Mechanism Part 4**

| No. | Part No.     | Code        | Name                                | Material        | QTY |
|-----|--------------|-------------|-------------------------------------|-----------------|-----|
| 1   | C140-218-000 | 20251506011 | Coin door                           | Q235            | 1   |
| 2   | C140-220-000 | 20251506013 | Coin inner box                      | Q235            | 1   |
| 3   | C140-511-000 | 25300000004 | C582 lock                           |                 | 2   |
| 4   | C140-219-000 | 20251506012 | Coin outer box                      | Q235            | 1   |
| 5   | C140-210-000 | 26000044000 | Meter bracket                       | SECC            | 1   |
| 6   | C140-217-000 | 20251506010 | Track fixed bracket                 | Q235            | 1   |
| 7   | C140-501-000 | 25105000013 | Guild track                         |                 | 2   |
| 8   | C140-215-000 | 20251506048 | 20251506048                         | SECC            | 1   |
| 9   | C140-127-000 | 20101000034 | Cross recessed pan head screw suite |                 | 2   |
| 10  | C140-128-000 | 20102100011 | Hexagon flange nut                  | Stainless steel | 2   |
| 11  | C140-129-000 | 20102100030 | Hexagon flange nut                  | Stainless steel | 4   |
| 12  | C140-104-000 | 20101102008 | Cross recessed sunk head screw      | Stainless steel | 8   |

**9.1 .5 Mechanism Part 5**

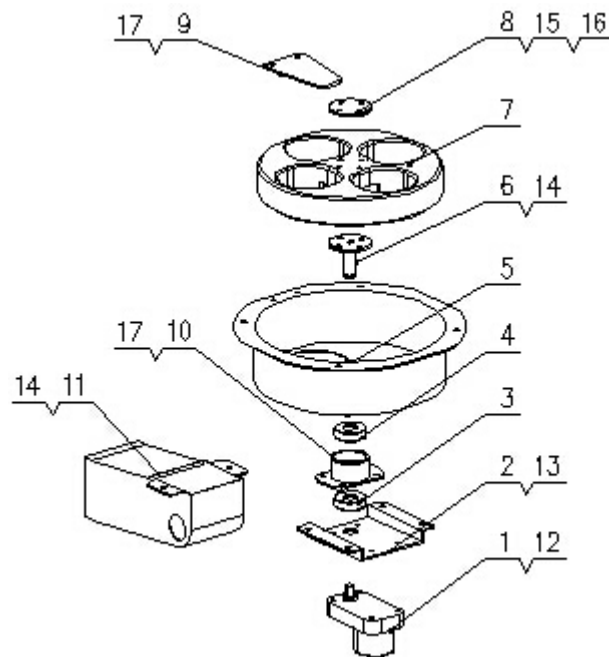
| No. | Part No.     | Code        | Name                                | Material        | QTY |
|-----|--------------|-------------|-------------------------------------|-----------------|-----|
| 1   | C140-225-000 | 20651506005 | Outball door decoration             | White POM       | 1   |
| 2   | C140-223-000 | 20251506015 | Outball door                        | Q235            | 1   |
| 3   | C140-222-000 | 20251506014 | Outball box                         | Q235            | 1   |
| 4   | C140-224-000 | 20251506050 | Sensor bracket                      | SECC            | 1   |
| 5   | C140-501-000 | 25105000013 | Guild track                         |                 | 2   |
| 6   | C140-221-000 | 20251506049 | Outball door track base             | SECC            | 1   |
| 7   | C140-101-000 | 20101000033 | Cross recessed pan head screw suite |                 | 4   |
| 8   | C140-102-000 | 20101000041 | Cross recessed pan head screw suite |                 | 4   |
| 9   | C140-103-000 | 20101020035 | Cross recessed pan head screw suite | Q235            | 2   |
| 10  | C140-104-000 | 20101102008 | Cross recessed sunk head screw      | Stainless steel | 8   |

## 9.1 .6 Mechanism Part 6



| No. | Part No.     | Code         | Name                                  | Material | QTY |
|-----|--------------|--------------|---------------------------------------|----------|-----|
| 1   | C140-258-000 | 20251506030  | Cabinet roof                          | Q235     | 1   |
| 2   | C140-264-000 | 20251506036  | Wooden box connecting board<br>1      | Q235     | 6   |
| 3   | C140-201-000 | 20241408A014 | Caster bracket                        | Q235     | 4   |
|     | C140-204-000 | 26000009000  | Leveller                              | Q235     | 4   |
| 4   | C140-265-000 | 20251506037  | Wooden box connecting board<br>1      | Q235     | 6   |
| 5   | C140-261-000 | 20251506033  | Track sealed board                    | Q235     | 2   |
| 6   | C140-259-000 | 20251506031  | Decorative frame door                 | Q235     | 2   |
| 7   | C140-263-000 | 20251506035  | Outball door frame connecting<br>part | Q235     | 1   |

## 9.1 .7 Mechanism Part 7



| No. | Part No.     | Code        | Name                                  | Material            | QTY |
|-----|--------------|-------------|---------------------------------------|---------------------|-----|
| 1   | C140-502-000 | 23404000114 | Gear reducer motor                    |                     | 1   |
| 2   | C140-272-000 | 20251506039 | Motor fixed plate                     | Q235                | 1   |
| 3   | C140-503-000 | 20106000206 | Deep groove ball BR.                  |                     | 1   |
| 4   | C140-504-000 | 20106050002 | Single row angular contact ball shaft |                     | 1   |
| 5   | C140-266-000 | 20251506038 | Capsule base plate                    | Q235                | 1   |
| 6   | C140-269-000 | 20251506002 | Motor shaft                           | 45#                 | 1   |
| 7   | C140-267-000 | 20651506012 | Capsule turntable                     | Black POM           | 1   |
| 8   | C140-270-000 | 20251506045 | Turntable fixed plate                 | Stainless steel 304 | 1   |
| 9   | C140-271-000 | 20251506054 | Outball fender                        | SECC                | 1   |
| 10  | C140-268-000 | 20251506001 | Shaft bracket                         | 45#                 | 1   |
| 11  | C140-273-000 | 20251506044 | Outball track                         | Stainless steel     | 1   |
| 12  | C140-105-000 | 20101010036 | Cross recessed pan head screw suite   | Q235                | 4   |
| 13  | C140-106-000 | 20102000011 | Hexagon flange nut                    |                     | 6   |
| 14  | C140-107-000 | 20105000027 | A type circlip for shaft              | Q235                | 1   |
| 15  | C140-108-000 | 20101102025 | Cross recessed sunk head screw        | Stainless steel     | 4   |
| 16  | C140-109-000 | 20102000036 | Cap nut                               | Q235                | 4   |
| 17  | C140-110-000 | 20101010040 | Cross recessed pan head screw suite   | Q235                | 6   |

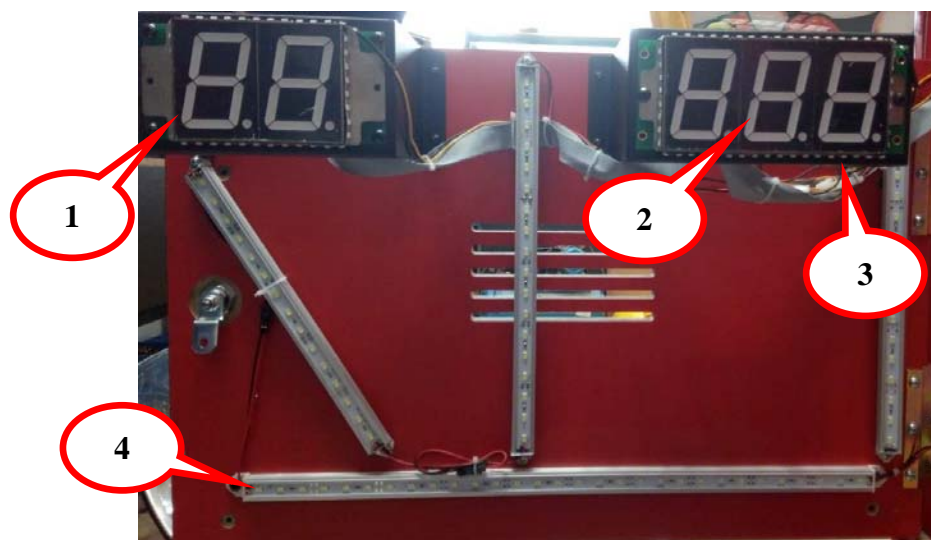


| No. | Part No.     | Code        | Name                                | Material | QTY |
|-----|--------------|-------------|-------------------------------------|----------|-----|
| 23  | C140-124-000 | 20101010043 | Cross recessed pan head screw suite | Q235     | 7   |
| 24  | C140-125-000 | 20105010022 | A type circlip for shaft            |          | 2   |
| 25  | C140-126-000 | 20101010099 | Hexagon flush end stopper screw     | Q235     | 2   |

### 9.2.1 Electrical Part 1

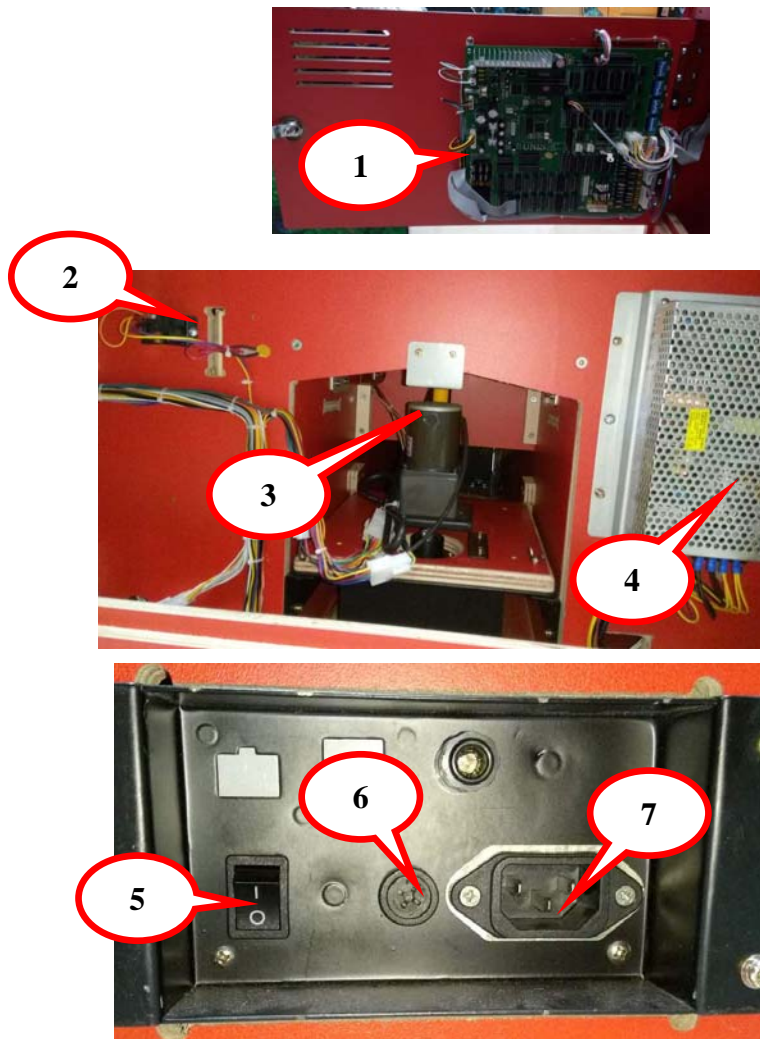


| No. | Part No.     | Code        | Name                        | Material               | QTY |
|-----|--------------|-------------|-----------------------------|------------------------|-----|
| 1   | C140-540-000 | 22003000075 | Red light bracket           | Φ3 RedLED +Light shade | 1   |
| 2   | C140-535-000 | 23100000005 | Ticket dispenser            | CL-022Q-270            | 1   |
| 3   | C140-539-000 | 21712000001 | Ticket converted board      | TICK-CH.PCB            | 1   |
| 4   | C140-529-000 | 22301000001 | Coin mech                   |                        | 1   |
| 5   | C140-528-000 | 23000000006 | Meter                       | C-012 12VDC 18CPS      | 2   |
| 6   | C140-536-000 | 22403000001 | Potentiometer SW            | Black                  | 1   |
|     | C140-532-000 | 22501000033 | Potentiometer               | RB50K                  | 1   |
|     | C140-533-000 | 21709000002 | Potentiometer connected pcb | VR.PCB                 | 1   |
| 7   | C140-519-000 | 22402010002 | Red button                  | PB:11C02R(Red)         | 1   |
|     | C140-520-000 | 22402030002 | Green button                | PB:11C02R(Green)       | 1   |
|     | C140-521-000 | 22402050001 | Black button                | PB:11C02R(Black)       | 1   |
| 8   | C140-534-000 | 20711205003 | IR board 3                  | MFDZ-HW3.PCB(V1.0)     | 5   |



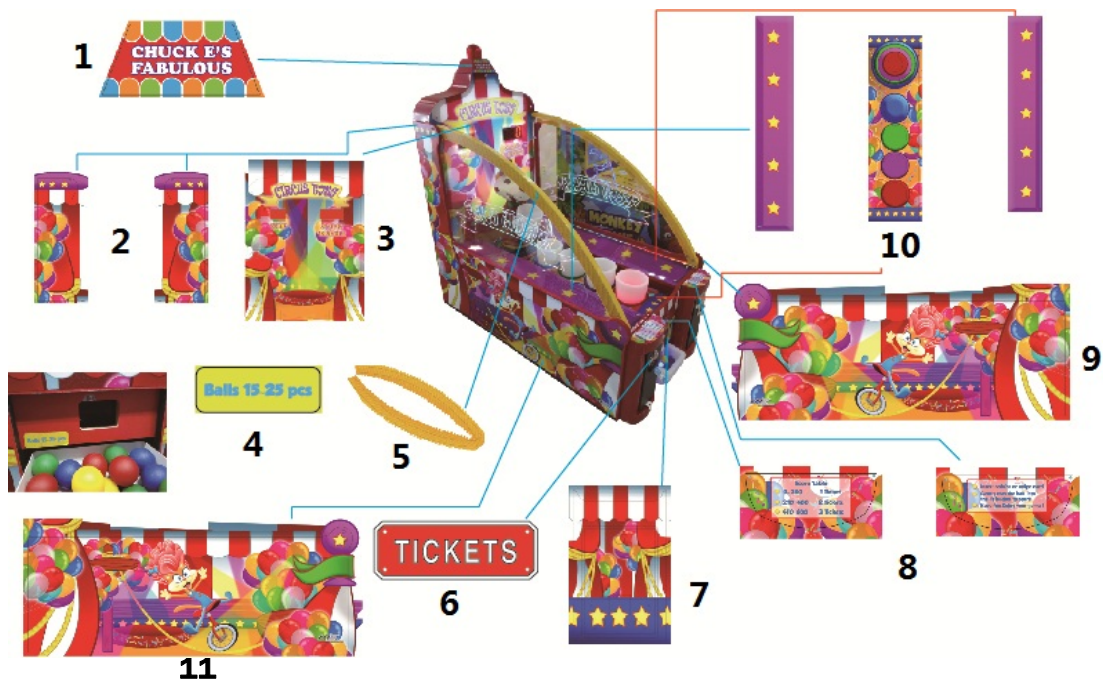
| No. | Part No.     | Code        | Name                       | Material                     | QTY |
|-----|--------------|-------------|----------------------------|------------------------------|-----|
| 1   | C140-541-000 | 21706000050 | Display board(2)           | LED15B2.PCB                  | 1   |
| 2   | C140-542-000 | 21706000032 | Display board(3)           | LED15B3.PCB                  | 1   |
| 3   | C140-538-000 | 40814060001 | Antiflame acetic acid tape | 10mmX30m                     | 2   |
| 4   | C140-530-000 | 22003080001 | Main panel light           | W5630-LC50cm-60z/<br>m-DC12V | 3   |
| 5   | C140-531-000 | 22801000005 | Speaker                    | 4Ω15W                        | 2   |
| 6   | C140-544-000 | 21501000047 | Sensor                     | SZ-GY-50FKS1                 | 2   |



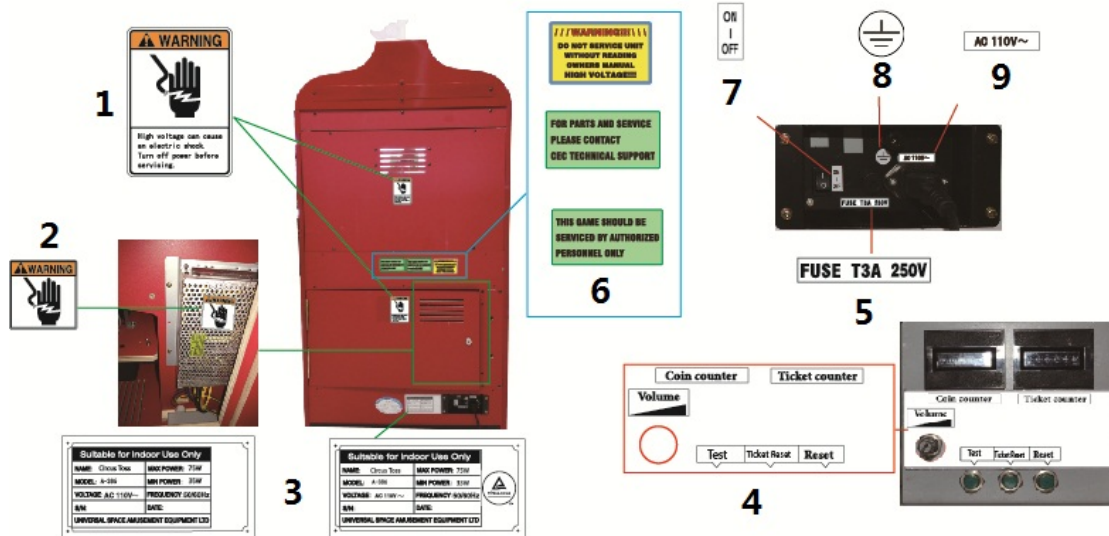


| No. | Part No.     | Code        | Name        | Material                     | QTY |
|-----|--------------|-------------|-------------|------------------------------|-----|
| 1   | C140-518-000 | 21701000014 | Main board  | PLAYV9                       | 1   |
|     | C140-537-000 | 23309000217 | Cable set   |                              | 1   |
| 2   | C140-543-000 | 22140012007 | Relay       | 12V-T9AP5D52-12              | 1   |
| 3   | C140-545-000 | 21501000004 | Sensor      | 23E3F-DS10C4/NPN-N0309000217 | 4   |
| 4   | C140-522-000 | 21602000004 | Power box   | EPT-S150S12(12V/12.5A)       | 1   |
| 5   | C140-527-000 | 22601000005 | Rocket SW   | T125/55                      | 1   |
| 6   | C140-525-000 | 21901000012 | Fuse        | Φ5×20mm T5A 250VAC           | 1   |
|     | C140-526-000 | 21902000006 | Fuse socket | R3-11 110V/250V/10A          | 1   |
| 7   | C140-524-000 | 23201000001 | Filter      | YB10A1 10A/250V              | 1   |

### 10. Decal

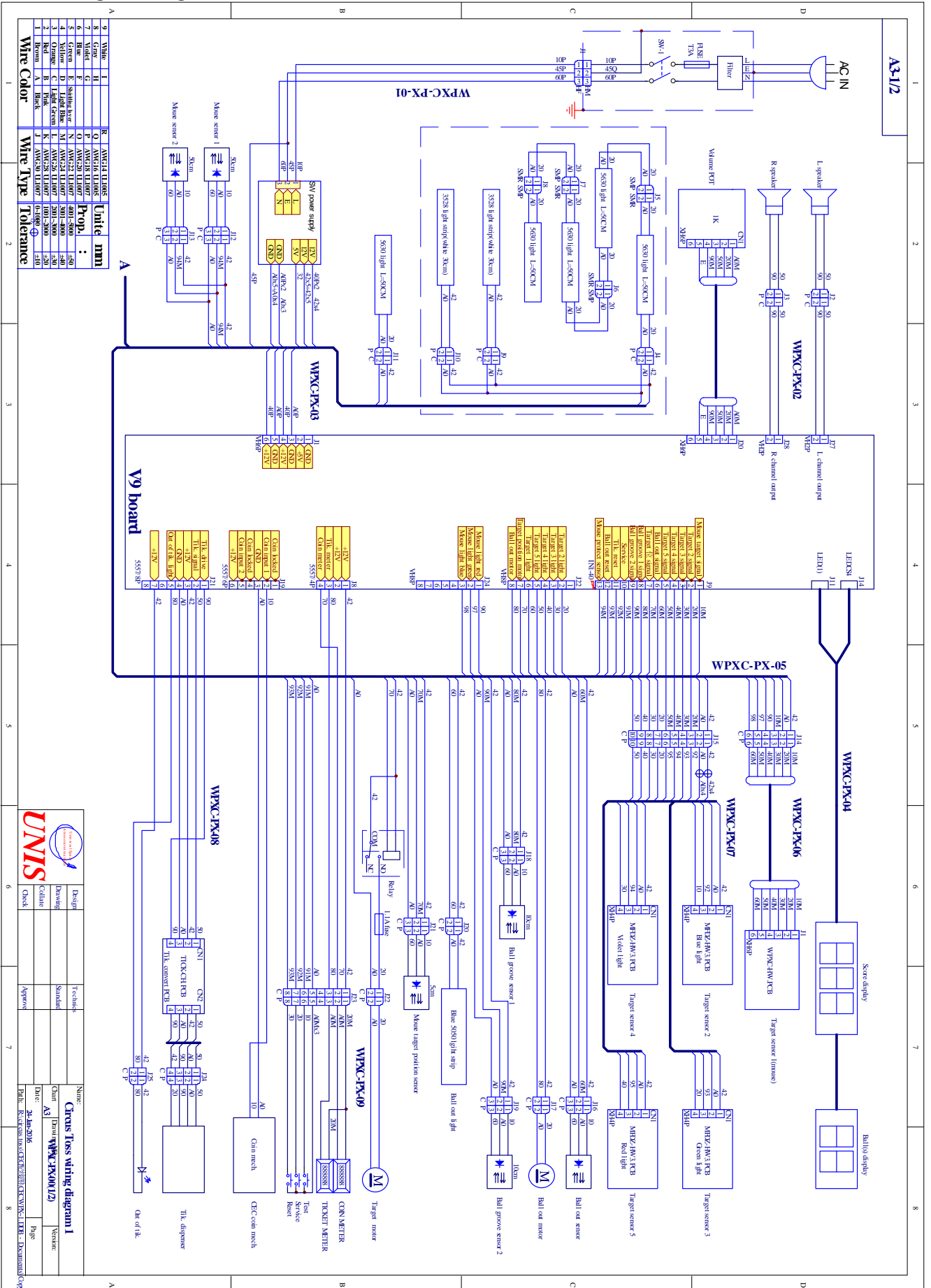


| No. | Part No.     | Code        | Name                       | Material         | QTY |
|-----|--------------|-------------|----------------------------|------------------|-----|
| 1   | C140-701-000 | 20551506001 | Warning light socket decal | PVC              | 1   |
| 2   | C140-703-000 | 20551506003 | L side decal               | PVC              | 1   |
|     | C140-704-000 | 20551506004 | R side decal               | PVC              | 1   |
| 3   | C140-702-000 | 20551506002 | Main decal                 | ø5 Clear plastic | 1   |
| 4   | C140-726-000 | 20551506017 | Guidelines                 | PVC100           | 1   |
| 5   | C140-715-000 | 20551506015 | Bent pipe decal            | PVC              | 1   |
| 6   | C140-724-000 | 25600000034 | Ticket label               | PVC100           | 1   |
| 7   | C140-716-000 | 20551506016 | Front door decal           | PVC              | 1   |
| 8   | C140-707-000 | 20551506007 | L panel decal              | PVC              | 1   |
|     | C140-708-000 | 20551506008 | R panel decal              | PVC              | 1   |
| 9   | C140-706-000 | 20551506006 | Under R side decal         | PVC              | 1   |
| 10  | C140-709-000 | 20551506009 | L platform decal           | PVC              | 1   |
|     | C140-710-000 | 20551506010 | R platform decal           | PVC              | 1   |
|     | C140-711-000 | 20551506011 | M platform decal           | PVC              | 1   |
| 11  | C140-705-000 | 20551506005 | Under L side decal         | PVC              | 1   |



| No. | Part No.     | Code         | Name                         | Material | QTY |
|-----|--------------|--------------|------------------------------|----------|-----|
| 1   | C140-719-000 | 25600000037  | Warning label L              | PVC100   | 2   |
| 2   | C140-718-000 | 25600000036  | Warning label S              | PVC100   | 1   |
| 3   | C140-712-000 | 20551506012  | 110V uncertified nameplate   | 1MMPVC   | 1   |
|     | C140-727-000 | 20551506A001 | TUV certified 110V nameplate | 1MMPVC   | 1   |
| 4   | C140-714-000 | 20551506014  | Meter label                  | PVC100   | 1   |
| 5   | C140-720-000 | 25600000073  | Fuse label                   | PVC100   | 1   |
| 6   | C140-728-000 | 25600000042  | Service label 1              | PVC100   | 1   |
|     | C140-729-000 | 25600000043  | Service label 2              | PVC100   | 1   |
|     | C140-730-000 | 25600000067  | Service label                | PVC100   | 1   |
| 6   | C140-717-000 | 25600000017  | SW label B                   | PVC100   | 1   |
| 7   | C140-722-000 | 25600000091  | GND label                    | PVC100   | 1   |
| 8   | C140-725-000 | 25600000071  | 110 V label                  | PVC100   | 1   |

# WIRING DIAGRAM



UNIS

Display Drawing Collate Check

Technical Standard Approve

Circus Toss wiring diagram 1

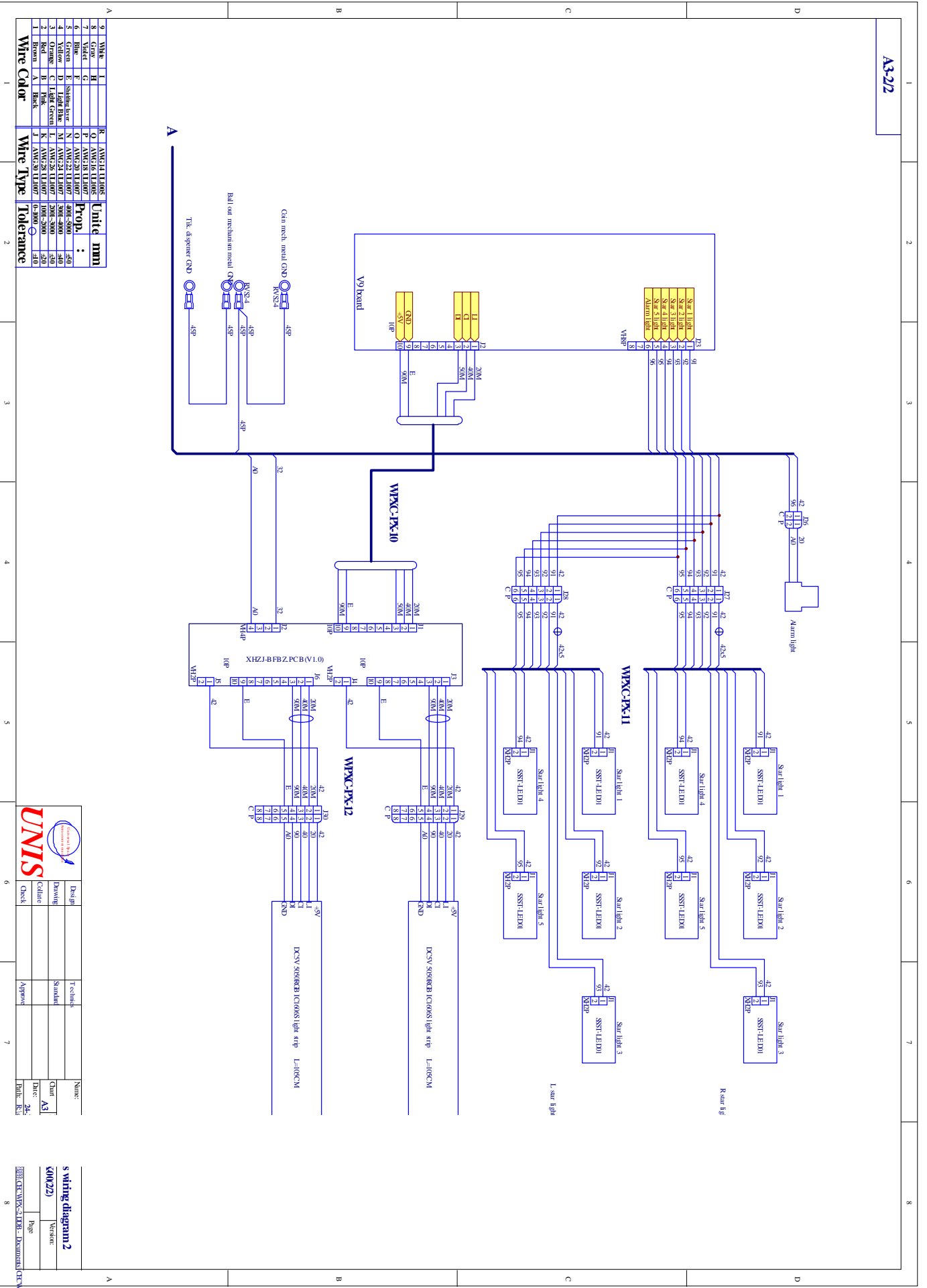
Drawn by: WPC-PX04/1/2

Date: 26 June 2016

Version: 1

Page: 30

Path: C:\Users\user\Desktop\Circus Toss\Circus Toss wiring diagram 1



A3-2/2

| Wire Color | Wire Type | Unit | mm   |
|------------|-----------|------|------|
| 1          | Brown     | A    | 1.00 |
| 2          | Red       | B    | 1.00 |
| 3          | Orange    | C    | 1.00 |
| 4          | Yellow    | D    | 1.00 |
| 5          | Green     | E    | 1.00 |
| 6          | Blue      | F    | 1.00 |
| 7          | Violet    | G    | 1.00 |
| 8          | Grey      | H    | 1.00 |
| 9          | White     | I    | 1.00 |

|  |             |          |  |
|--|-------------|----------|--|
|  | Design      | Technics | Name:<br>Chart: A3<br>Date: 24.12.2019<br>Title: CEC |
|  | Drawing     | Standard |  |
|  | Calculation |          |  |
|  | Check       | Approve  |  |

|                    |         |
|--------------------|---------|
| s wiring diagram 2 |         |
| (00222)            | Version |
|                    | Page    |